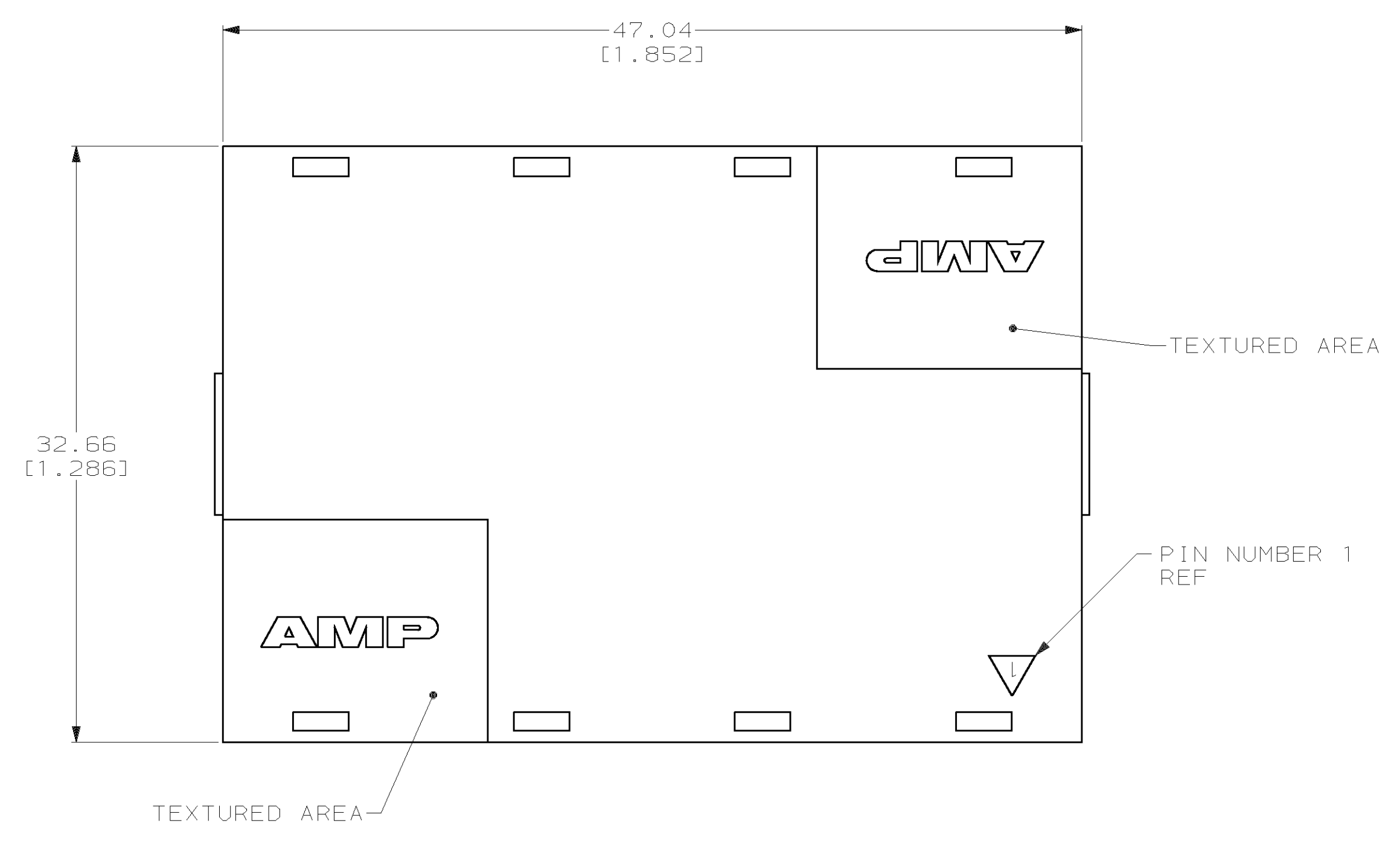
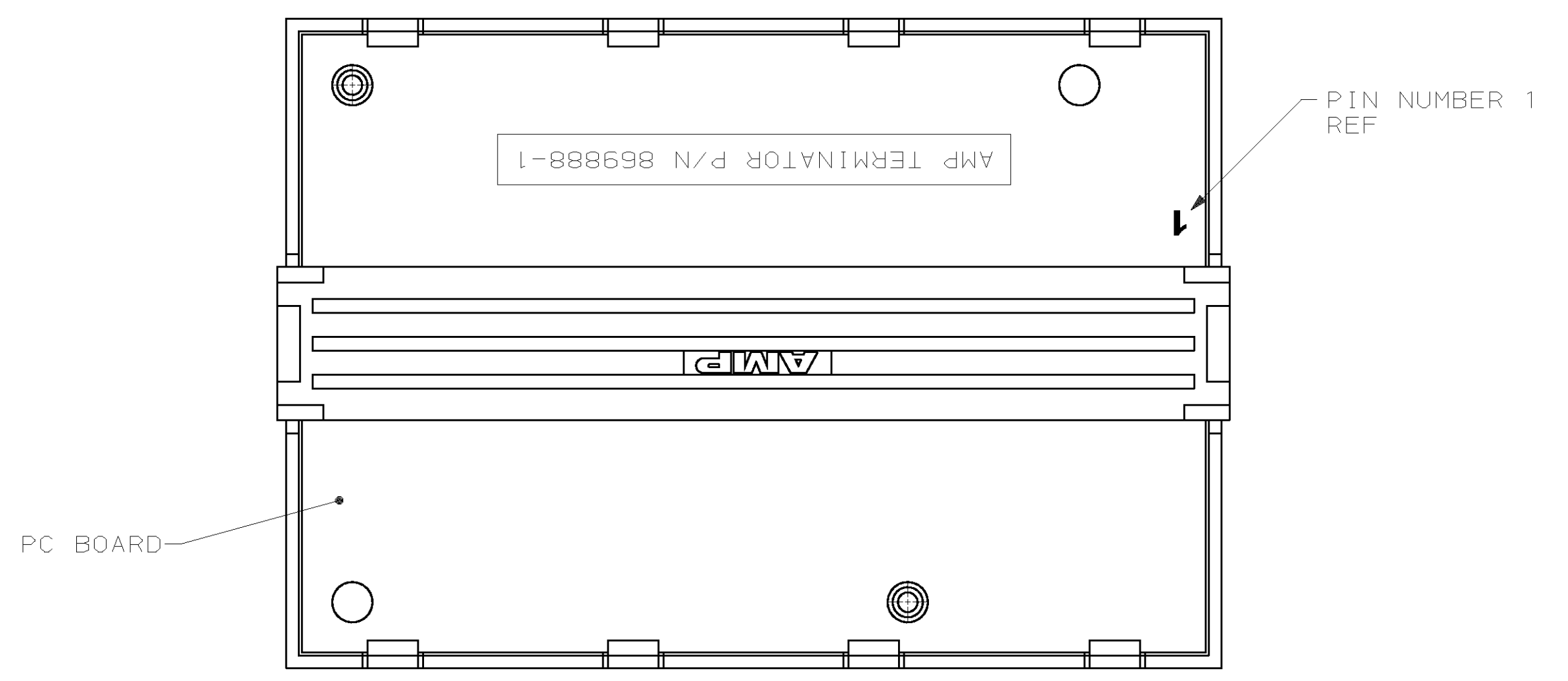
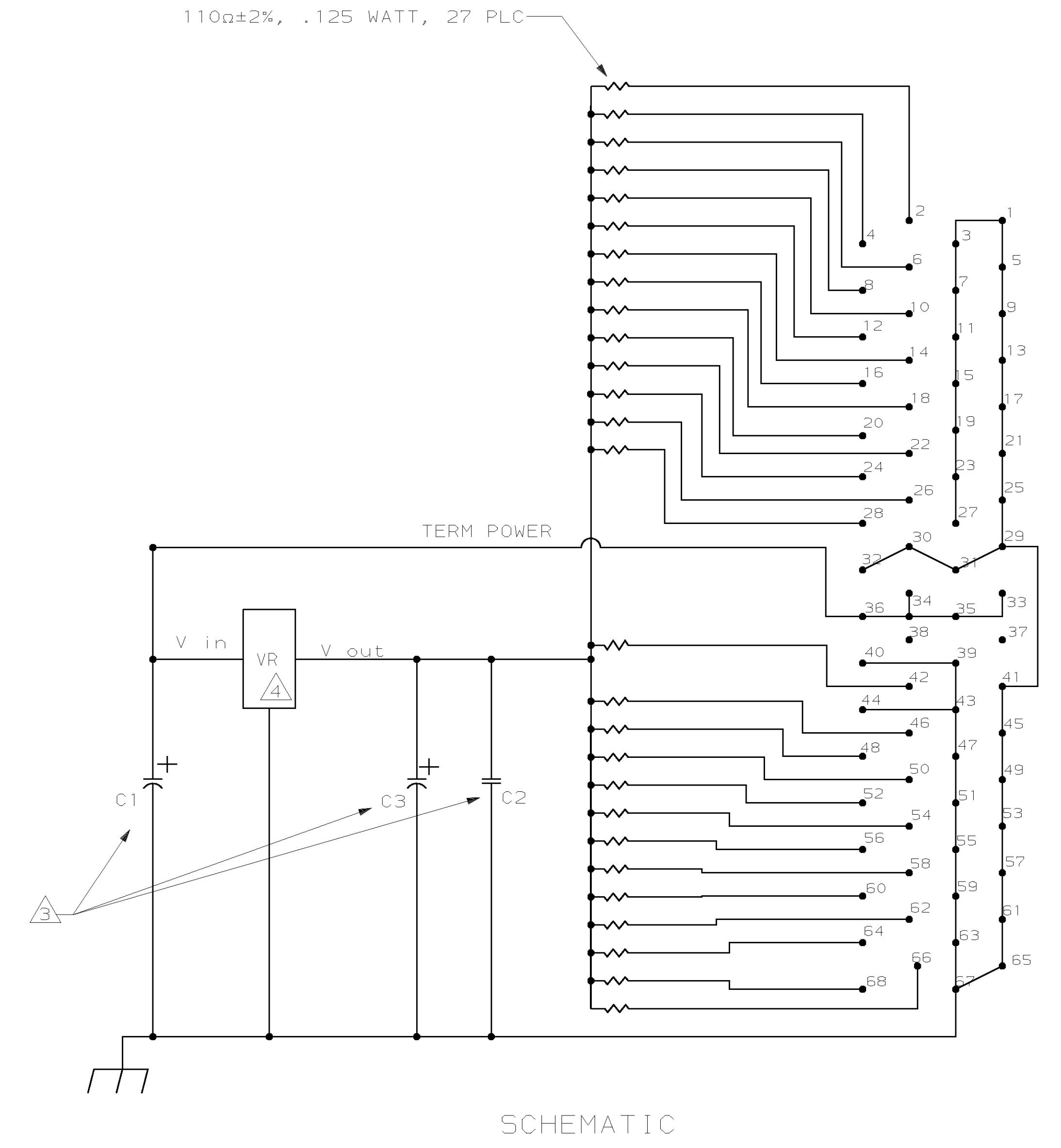
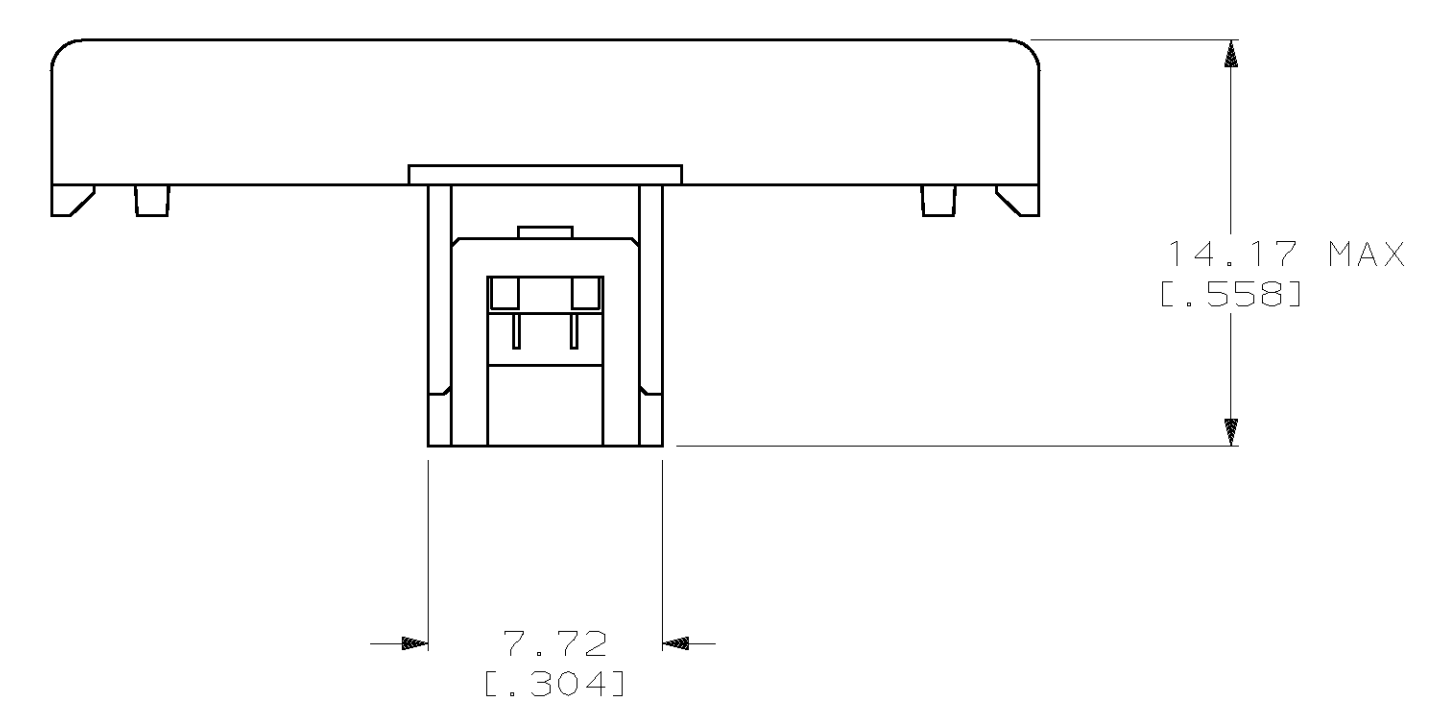
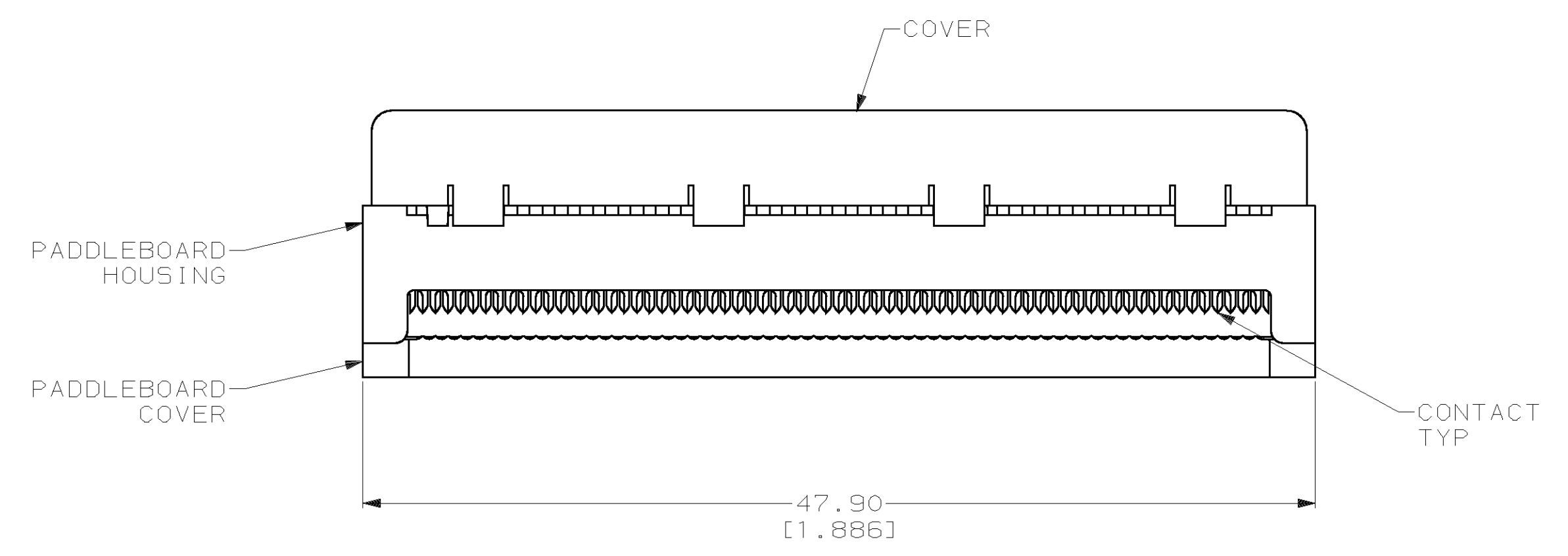


LOC		DIST		P		F		ZONE		LTR		REVISIONS			
BD	62											DESCRIPTION	DATE	APPD	
												K	REV PER 0520-0287-02	01MAY02	TS/RF



- △1 PADDLEBOARD HOUSING: LCP, BLACK, UL 94V-0 RATED.
 PADDLEBOARD COVER: POLYESTER, BLACK OR GREY, UL 94V-0 RATED.
 COVER: ABS, BLACK, UL 94V-0 RATED.
 CONTACTS: COPPER ALLOY.
 SUBSTRATE: PLASTIC LAMINATE.
- △2 2.54µm [0.00100] MIN TIN-LEAD OVER 1.27µm [0.00050] MIN NICKEL.
- △3 C1 = 4.7µFD TANTALUM; C3 = 22µFD TANTALUM; C2 COMPRISED OF TWO .1µFD CERAMIC CAPACITORS.
- △4 VOLTAGE REGULATOR TO MEET ALL SCSI SINGLE-ENDED ACTIVE REQUIREMENTS.



THIS DRAWING IS A CONTROLLED DOCUMENT FOR AMP INCORPORATED. IT IS SUBJECT TO CHANGE AND THE CONTROLLING ENGINEERING ORGANIZATION SHOULD BE CONTACTED FOR THE LATEST REVISION.

DO NOT SCALE PRINT. UNLESS SPECIFIED DIMENSIONS IN mm [INCHES]		DR 08-08-94 D. BROCKWAY		869888-1 PART NO	
TOLERANCES ON:		CHK 08-09-94 R. STONE		AMP Incorporated Harrisburg, PA 17105-3608	
2 PLC DEC ± 0.13 (0.005)		APPD 09-10-94 J. VANDYKE		NAME	
3 PLC DEC ± -		APPD 09-10-94 J. VANDYKE		.025¢ IDC ASSEMBLY, ACTIVE TERMINATOR	
ANGLES ± -		APPD 09-10-94 J. VANDYKE		SIZE	
MATERIAL		PRODUCT SPEC		CAGE CODE	
FINISH		APPLICATION SPEC		DRAWING NO	
WEIGHT		-		D 00779 C-869888	
		SCALE 4:1		SHEET 1 OF 1	